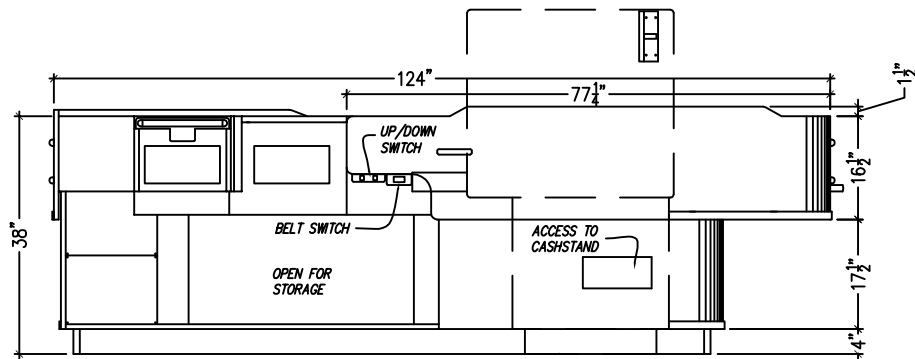
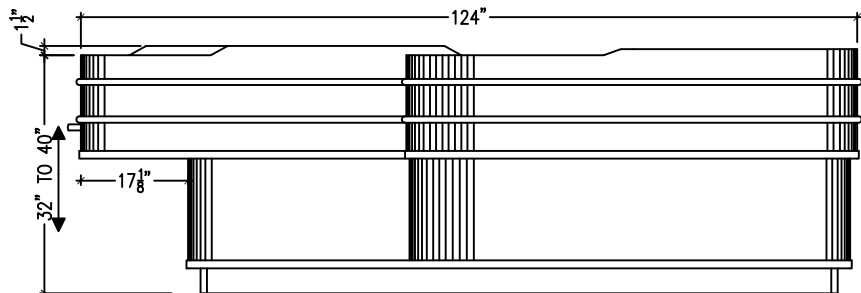


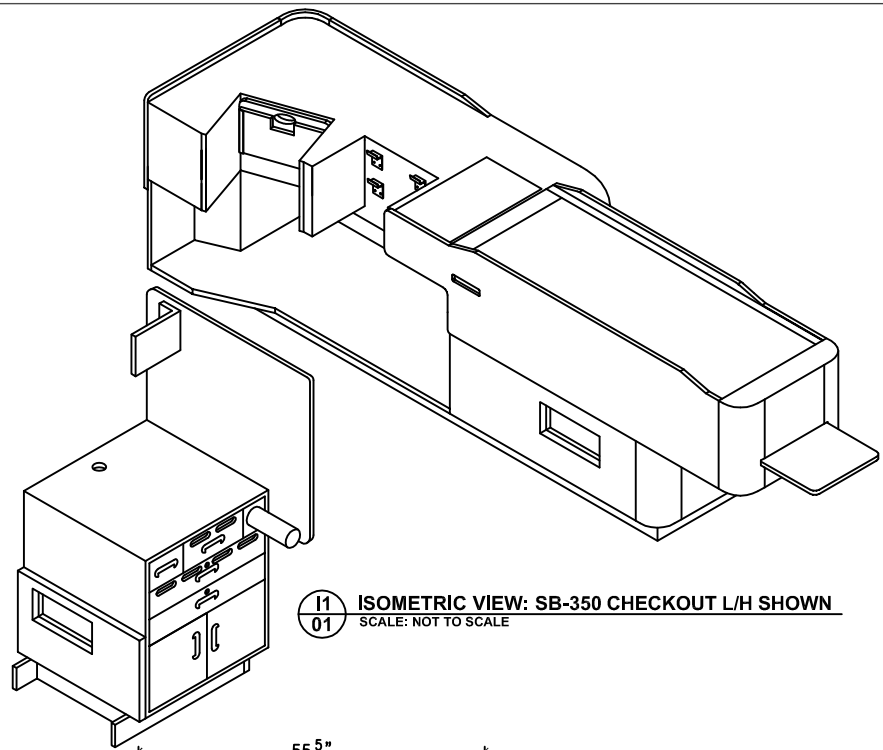
**P1** PLAN VIEW: SB-350 CHECKOUT LEFT HAND SHOWN  
SCALE: 3/8" = 1'-0"



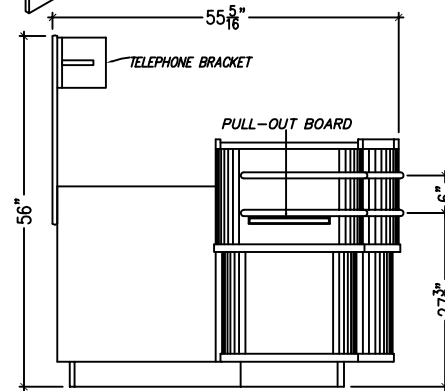
**E1** INSIDE ELEVATION: SB-350 CHECKOUT L/H SHOWN  
SCALE: 3/8" = 1'-0"



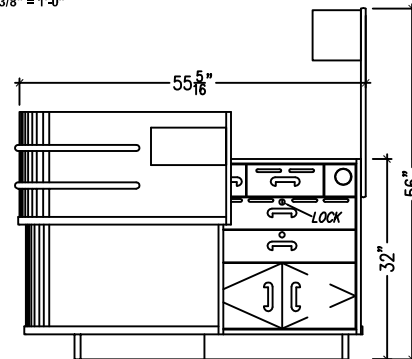
**E3** OUTSIDE ELEVATION: SB-350 CHECKOUT L/H SHOWN  
SCALE: 3/8" = 1'-0"




**I1** ISOMETRIC VIEW: SB-350 CHECKOUT L/H SHOWN  
SCALE: NOT TO SCALE



**E2** END ELEVATION: SB-350 CHECKOUT L/H SHOWN  
SCALE: 3/8" = 1'-0"



**E4** END ELEVATION: SB-350 CHECKOUT L/H SHOWN  
SCALE: 3/8" = 1'-0"



# BEL-PAR INDUSTRIES LTD.

12160 - 103A Avenue  
Surrey, B.C. Canada V3V 3G8  
Ph (604) 581-5291 Fax (604) 581-3112

---

CUSTOMER:  
*SINGLE BELT ADJ.  
HEIGHT CHECKOUT*

---

TITLE: *PROMO SB-350 L/H*

DRAWN BY: <i>BEL-PAR</i>	CAD FILE: <i>SB350-Standard-JAN</i>
SCALE: <i>1 1/2" = 1' 0"</i>	DATE: <i>JAN 2010</i>
WORK ORDER:	SHEET NO. <i>1</i>