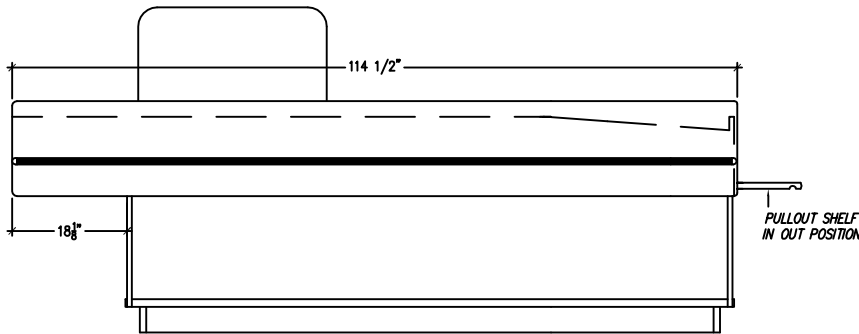
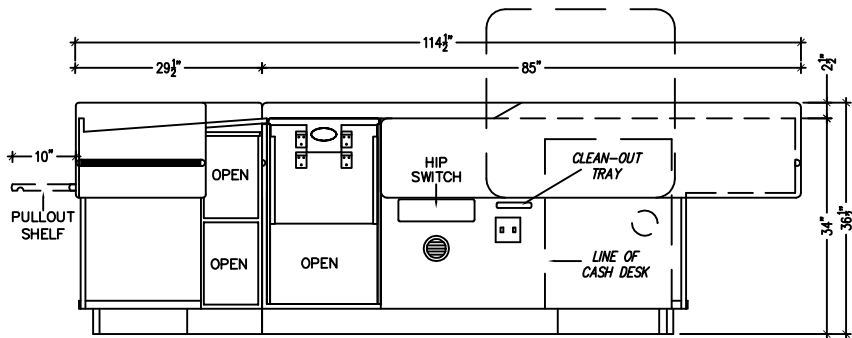


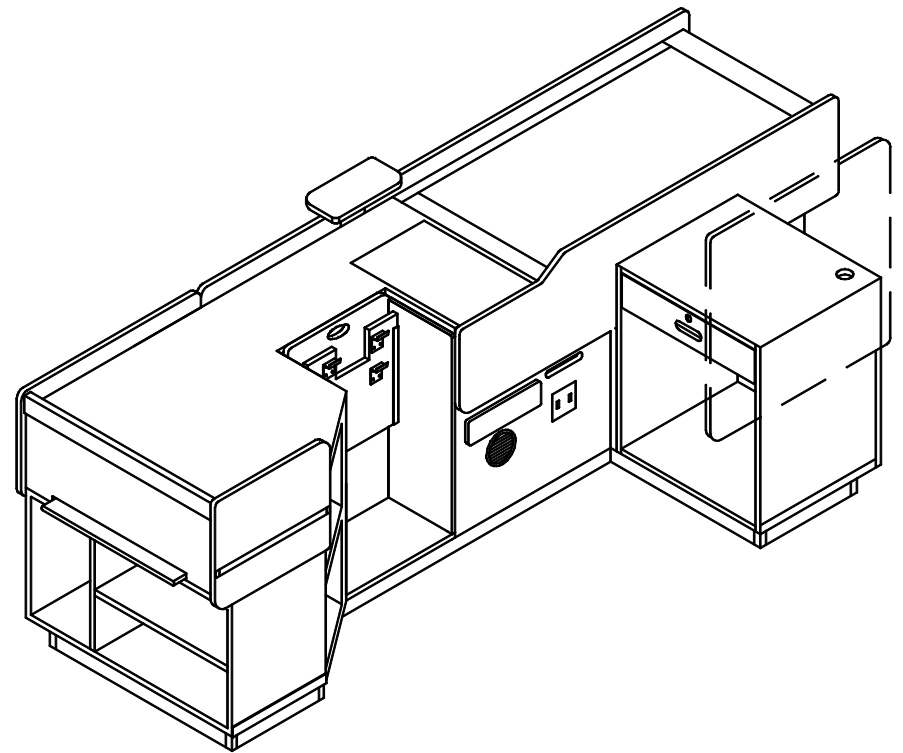
P1 PLAN VIEW: SB-240 CHECKOUT LEFT HAND SHOWN
01 SCALE: 3/8" = 1'-0"



E1 OUTSIDE ELEVATION: SB-240 CHECKOUT L/H SHOWN
01 SCALE: 3/8" = 1'-0"

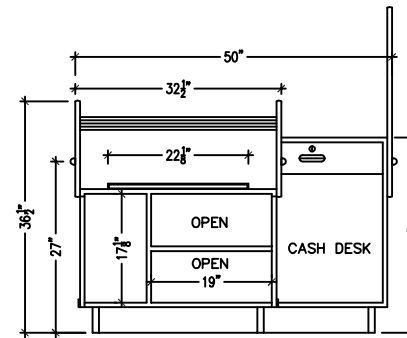


E2 INSIDE ELEVATION: SB-240 CHECKOUT L/H SHOWN
01 SCALE: 3/8" = 1'-0"



I1 ISOMETRIC VIEW: SB-240 CHECKOUT L/H SHOWN
01 SCALE: NOT TO SCALE

MODEL SB-240
 SINGLE BELT LEFTHAND
 CHECKSTAND



E3 END ELEVATION: SB-240 CHECKOUT L/H SHOWN
01 SCALE: 3/8" = 1'-0"

BEL-PAR INDUSTRIES LTD.

12160 - 103A Avenue
 Surrey, B.C. Canada V3V 3G8
 Ph (604) 581-5291 Fax (604) 581-3112

CUSTOMER:
SB-240 L/H BELT CHECKOUT

TITLE: **PROMO SB-240 L/H**

DRAWN BY: BEL-PAR	CAD FILE: SB240-Standard-JAN
SCALE: 1 1/2" = 1' 0"	DATE: JAN 2010
WORK ORDER:	SHEET NO. 1