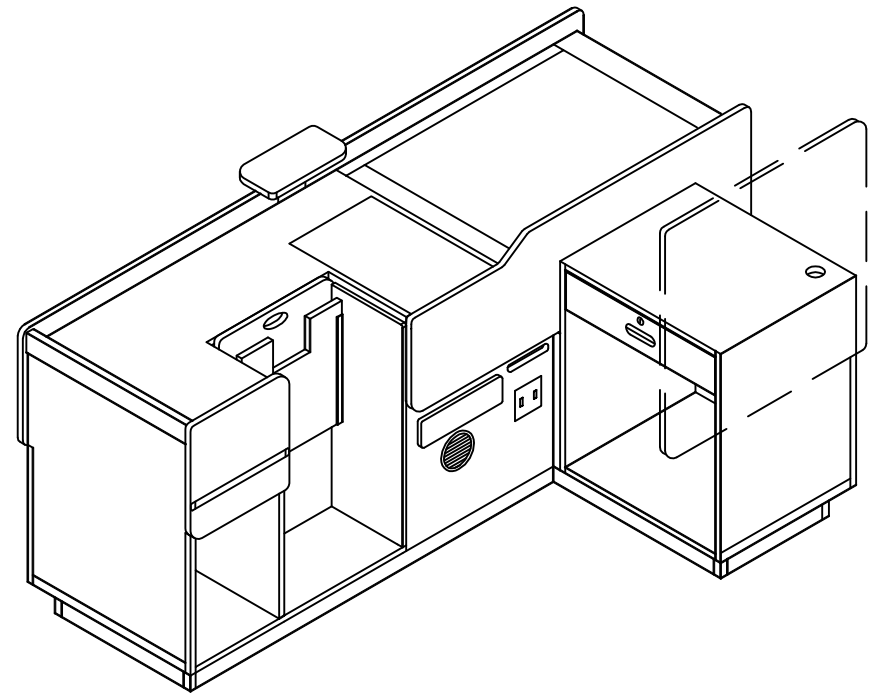
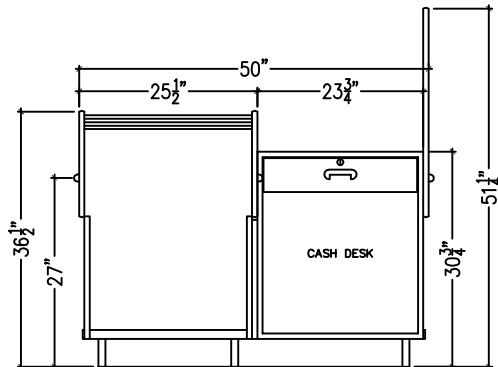


P1 PLAN VIEW: SB-208 CHECKOUT LEFT HAND SHOWN
SCALE: 3/8" = 1'-0"

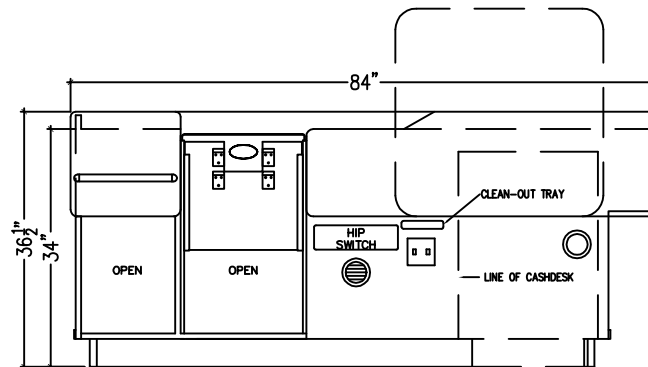


I1 ISOMETRIC VIEW: SB-208 CHECKOUT L/H SHOWN
SCALE: NOT TO SCALE


MODEL SB-208 SINGLE BELT CHECKOUT



E1 END ELEVATION: SB-208 CHECKOUT L/H SHOWN
SCALE: 3/8" = 1'-0"



E2 INSIDE ELEVATION: SB-208 CHECKOUT L/H SHOWN
SCALE: 3/8" = 1'-0"



**BEL-PAR
INDUSTRIES LTD.**

12160 - 103A Avenue
Surrey, B.C. Canada V3V 3G8
Ph (604) 581-5291 Fax (604) 581-3112

CUSTOMER:	
<i>SB-208 L/H EXPRESS BELT CHECKOUT</i>	
TITLE: <i>PROMO SB-208 L/H</i>	
DRAWN BY:	CAD FILE:
<i>BEL-PAR</i>	<i>SB208-Standard-JAN</i>
SCALE:	DATE:
<i>1 1/2" = 1' 0"</i>	<i>JAN 2010</i>
WORK ORDER:	SHEET NO.
	1